

# MUSIC CABINET

## Loudspeakers



➤ **JD20**

➤ **JD20/T**

### TECHNICAL SPECIFICATIONS

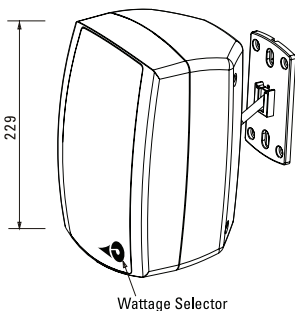
Rated power, Watts	20
Tappings 100 volt line, Watts	20/10/5/2.5
Transformer Impedance, Ohms, 100V	500/1k/2k/4k
Tappings 70.7 volt line, Watts	10/5/1.25/0.75
Driver impedance, Ohms	16
Effective frequency range, Hz (BSEN60268-5)	63 – 20,000
S.P.L. @ 1m, 1 watt, dB, Test Signal Bandwidth 100Hz – 10 kHz	84
S.P.L. @ Full power, Octave Bandwidth, dB	97
Acoustic Power (dB-PWL@1 Watt) 1k/2kHz, dB	78/75
Dispersion at 1k/2k Hz, Degrees	180/100
Directivity Axial Q factor, 1k/2kHz	3.5/ 7.1
Dimensions, front & depth, mm	146 x 229 x 150
Net weight, Kgs	1.9
Colour/Finish	White or Black
Material	ABS moulded housing
Mounting	Die-cast Aluminium Swivel Bracket

EASE, CATT, ULYSSES and Architectural specifications are supplied on the disc inserted at the back of this folder  
Manufacturer reserves the right to alter specifications without notice – March 2007

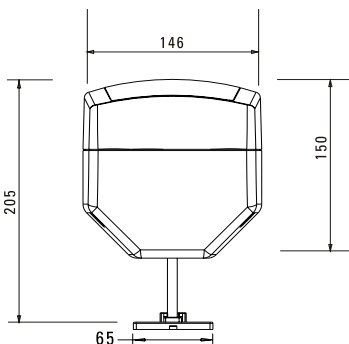
LD SPEAKERS LD SPEAKERS LD SPEAKERS LD SPEAKERS LD SPEAKERS

**JD20 JD20/T**  
MUSIC CABINET LOUDSPEAKERS

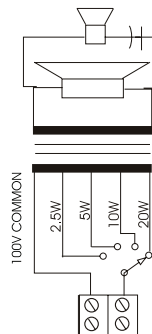
side view  
unit: mm



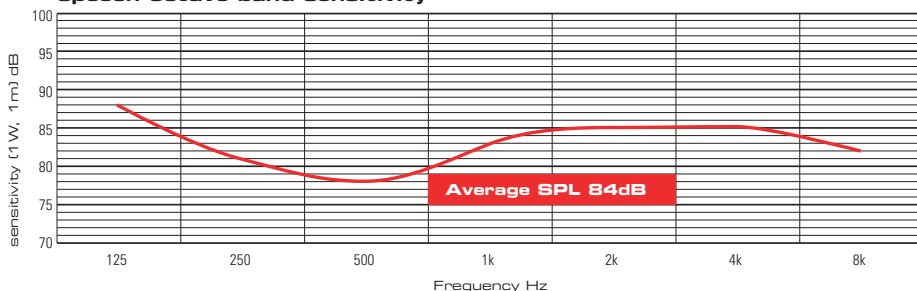
top view  
unit: mm



circuit diagram  
**JD20/T**



speech octave band sensitivity



Effective Frequency Range **JD20 JD20/T** 63Hz - 20,000Hz



**Penton UK Ltd**

Unit 2 Teville Industrials | Dominion Way | Worthing | West Sussex | BN14 8NW

T: +44 (0)1903 215315 | F: +44(0)1903 215415 | E: SALES@PENTONUK.CO.UK

[www.penton.org](http://www.penton.org)