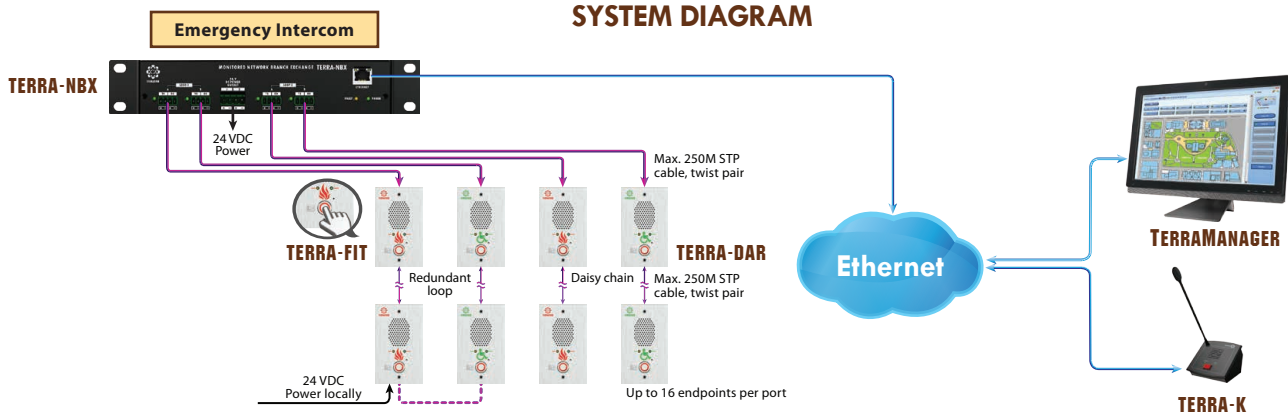


The Emergency Voice Communications System (EVCS) from TERRACOM is designed for emergency intercom such as fire, disabled refuge and help point. This system allows people who needs help to call the emergency control center, and the control center also can call end points.

The EVCS is consisted of Terra-NBX network audio branch exchanger, and two types of digital wall-mount intercom unit: Terra-FIT fire intercom unit and Terra-DAR disabled refuge intercom unit. The Terra-NBX unit is powered by AC mains power and/or connect to a external backup 24VDC power supply. Terra-FIT can be powered from Terra-NBX directly or locally. Terra-NBX has 4 communication ports (2 redundant loops), each port can connect up to 16 Terra-FIT, and up to 64 Terra-FIT (4 ports x 16 Terra-FIT) can be wired in daisy chain or 32 Terra-FIT (2 loops x 16 Terra-FIT) per Terra-NBX.

FEATURES

- Configuration, control and monitoring via web browser
- AC mains power supply and/or local external 24 VDC power
- Fault LED on front panel, web browser and TerraManager
- Up to 64 Terra-FIT can be wired in daisy chain or up to 32 Terra-FIT in redundant loop
- 250M (max.) between Terra-NBX to Terra-FIT, Terra-FIT to Terra-FIT via STP twist pair cable



TECHNICAL SPECIFICATIONS

INDICATION

- Power LED & Fault LED

POWER

- Mains power: 110 ~ 240 VAC
 - Power consumption: 10W
 - Max. power consumption: 130W
- 24 VDC output for Terra-FIT/DAR
 - Power supply for 1 loop: 50W

MECHANICAL

- Dimension (W x D x H): 212 x 200 x 44 mm (8.3 x 7.9 x 1.7 inch)
- Net Weight: 1.5 kg (3.3 lbs)
- Colour: RAL7016

STANDARDS COMPLIANCE

- BS5839, Part 9, 2011

ORDERING INFORMATION

- Terra-NBX: Network Audio Branch Exchanger