

ROUND METAL CEILING Loudspeakers



➤ **RCS4/T** ➤ **RCS4/FTS**

TECHNICAL SPECIFICATIONS

Rated power, Watts	4
Tappings 100 volt line, Watts	4 / 2 / 1 / 0.5 / 0.25
Transformer Impedance, Ohms, 100V	2.5k/5k/10k/20k/40k
Tappings 70.7 volt line, Watts	2 / 1 / 0.5 / 0.25 / 0.13
Driver impedance, Ohms	8
Effective Frequency Range, Hz(BSEN60268-5)	RCS4/T: 130-18KHz, RCS4/FTS: 200-18KHz
S.P.L. @ 1m, 1 watt, dB, Test Signal Bandwidth 100Hz-10 kHz	RCS4/T: 84, RCS4/FTS: 83
S.P.L. @ Full power Octave Bandwidth, dB	RCS4/T: 90, RCS4/FTS: 89
Acoustic Power (dB-PWL@1 watt) 1k/2k Hz	RCS4/T: 81/83, RCS4/FTS: 81/83
Dispersion at 1k/2k Hz, Degrees	RCS4/T: 180/180, RCS4/FTS: 180/180
Directivity Axial Q factor, 1k/2k Hz	RCS4/T: 1.90/2.20, RCS4/FTS: 1.70/2.20
Dimensions, diameter, mm	RCS4/T: Ø132, RCS4/FTS: Ø132
Net weight, Kgs	RCS4/T: 0.72, RCS4/FTS: 0.92
Colour/Finish	White RAL9016
Material	Steel
Mounting	Fixing Springs x 4 (stainless steel)
Cut-out, mm	RCS4/T: Ø119 RCS4/FTS: Ø119

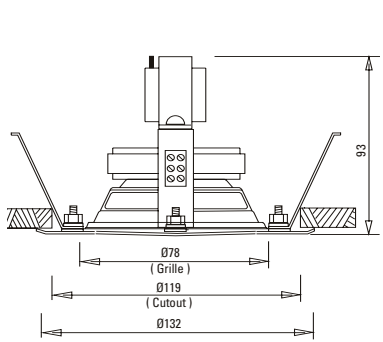
➤ RCS4/FTS is BS5839 Part 8 voice alarm compliant

EASE, CATT, ULYSSES and Architectural specifications are supplied on the disc inserted at the back of this folder
Manufacturer reserves the right to alter specifications without notice – March 2007

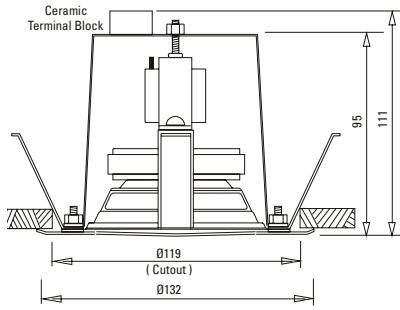
➤ **RCS4/T** ➤ **RCS4/FTS**

ROUND METAL CEILING LOUDSPEAKERS

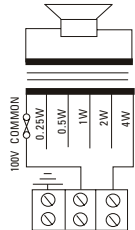
▼ **RCS4/T**
side view
unit: mm



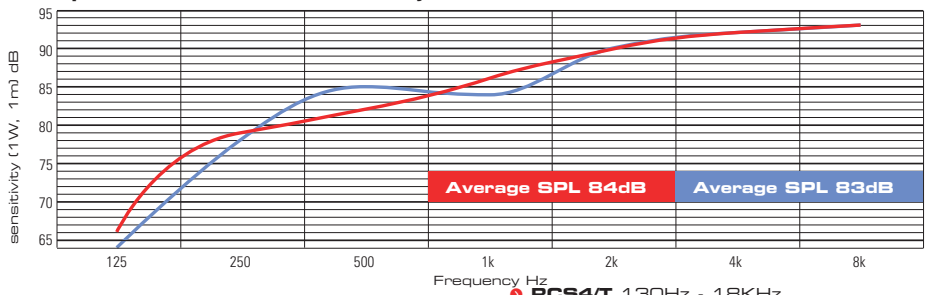
▼ **RCS4/FTS**
side view
unit: mm



▼ **circuit diagram**
RCS4/FTS



speech octave band sensitivity



Effective Frequency Range
 ● **RCS4/T** 130Hz - 18KHz
 ● **RCS4/FTS** 200Hz - 18KHz



Penton UK Ltd
 Unit 2 Teville Industrials | Dominion Way | Worthing | West Sussex | BN14 8NW
 T: +44 (0)1903 215315 | F: +44(0)1903 215415 | E: SALES@PENTONUK.CO.UK

www.penton.org