



MUSIC HORN LOUDSPEAKER

MSH30T/ENC

This weatherproof plastic music horn loudspeaker is manufactured from an ABS moulded, low smoke zero Halogen UL-94V0 Plastic with UV inhibitors. Being non-corrosive and resistant to salt laden air makes it suitable for both indoor and outdoor use. It includes a mounting bracket manufactured in stainless steel. It combines a re-entrant horn with a high frequency driver. The combination of both delivers a controlled coverage pattern with clear speech and quality background music reproduction. Supplied complete with cable gland, this unit is ideal grey, RAL7035, however alternative finishes are available upon request. Its rugged construction and quick and easy installation make it ideally suited for such places as outdoor swimming pools, sports stadiums, leisure centres and railway stations.



EN54-24:2008 0905-CPR-201108 TYPE B

● Standard	Compliant to EN54-24 Compliant to BS5839:8
● Electrical	
Rated power, Watts	30
Tappings 100 Volt line, Watts	30/15/7.5/3.75
Transformer Impedance, Ohms 100 Volt	333/666/1.3k/2.6k
Tappings 70.7 Volt line, Watts	15/7.5/3.75/1.875
Driver impedance, Ohms	8
Effective Frequency Range, Hz (BSEN60268-5)	70 - 16.500
S.P.L. @ 1 m, 1 Watt, dB, Octave, 100 Hz-10 kHz	100
S.P.L. @ 1 m, Full power, dB, Octave, 100 Hz-10 kHz	115
S.P.L. @ 4 m, 1 Watt, dB, 1/3 Octave, 100 Hz-10 kHz	81
S.P.L. @ 4 m, Full power, dB, 1/3 Octave, 100 Hz-10 kHz	99
Dispersion at 1k/2k Hz, Degrees	56/98 Horizontal 96/52 Vertical
● Environmental	
IP Rating	66
Min/Max amb temp	-25°C to 70°C
Relative Humidity	≤95%
● Mechanical	
Dimensions, front & depth, mm	442 x 260 x 287,5
Net weight, kg	5.5
Colour (Unless Specified)	Grey, RAL7035
Material	Low smoke zero halogen UL-94V0 Plastic with UV inhibitors
Mounting	Stainless Steel U bracket and hardware
Safety	Ceramic Block Thermal Fuse Capacitor for DC line monitoring



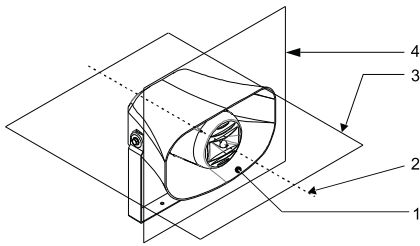
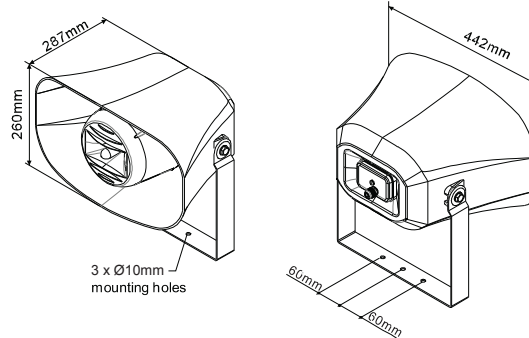
ATEIS Europe B.V.
Celsiusstraat 1, 2652 XN Lansingerland, Netherlands
Phone +31 (0)10 208 86 90, www.ateis-europe.com, info@ateis-europe.com



INSTALLATION GUIDE

MSH30T/ENC

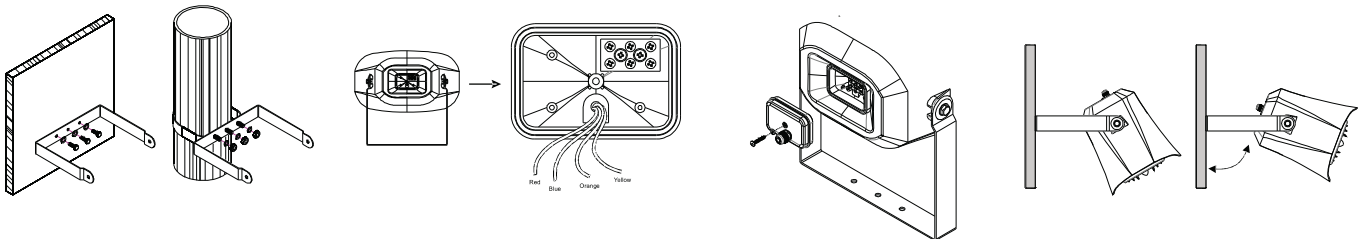
EN54-24:2008
0905-CPR-201108
TYPE B



1. Loudspeaker enclosure
2. Reference axis
3. Reference plane
4. Horizontal plane

With Transformer:
100V/70V line

	White wire plus tapping				Black
100V	3.75W	7.5W	15W	30W	COM
70V	1.875W	3.75W	7.5W	15W	COM
IMP (Ω)	2.64K	1.32K	660	330	



1) Remove the "U" bracket from the speaker. Align the bracket and mark the fixing points. Fix the bracket using suitable fixings (Not supplied).

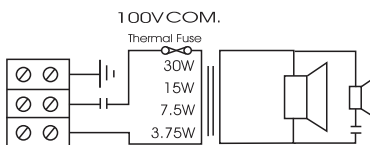
2) On removing the back lid of the Horn you will observe a 3 way ceramic terminal block that is connected to the 100v line transformer via a multi core cable. To select the required tapping select the appropriately coloured core and terminate into the ceramic block. Please see instructions detailed on the back of the lid to match the colour with the tapping value which runs from 30 watts to 3.75 watts.

3) On selecting the required tapping the installation cable can be fitted via a suitably rated gland into the single 20mm gland entry provided on the back lid.

4) Around the inner section of the chamber where the back lid was removed a rubber gasket is located; please make sure that it is in place when re-fitting the back lid to avoid water penetration.

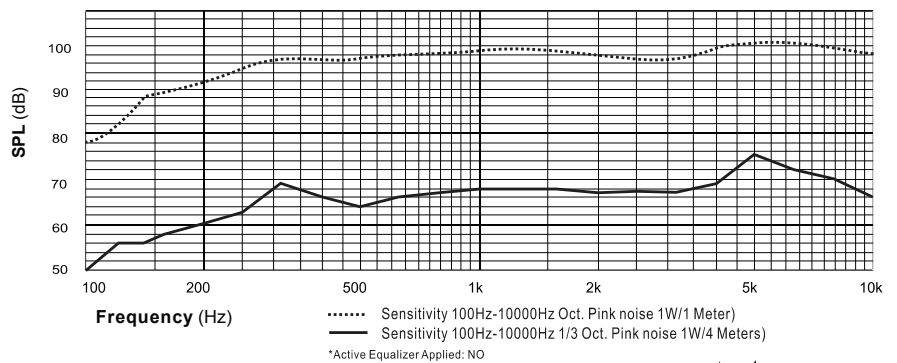
5) Re-fit the speaker to the "U" bracket. Position the speaker to the desired angle then tighten the fixings to secure in place.

6) Before connecting the speaker circuit to the power amplifier we strongly advise that the impedance of the circuit is checked to ensure it is fault free in order to prevent damage to the speaker and or amplification.



Circuit Diagram

Frequency response



Disclaimer: We reserve the right of changes and errors.



ATEiS Europe B.V.
Celsiusstraat 1, 2652 XN Lansingerland, Netherlands
Phone +31 (0)10 208 86 90, www.ateis-europe.com, info@ateis-europe.com

