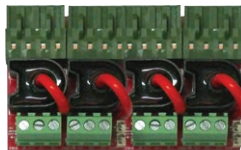




VA-EOL



SL-SENSOR

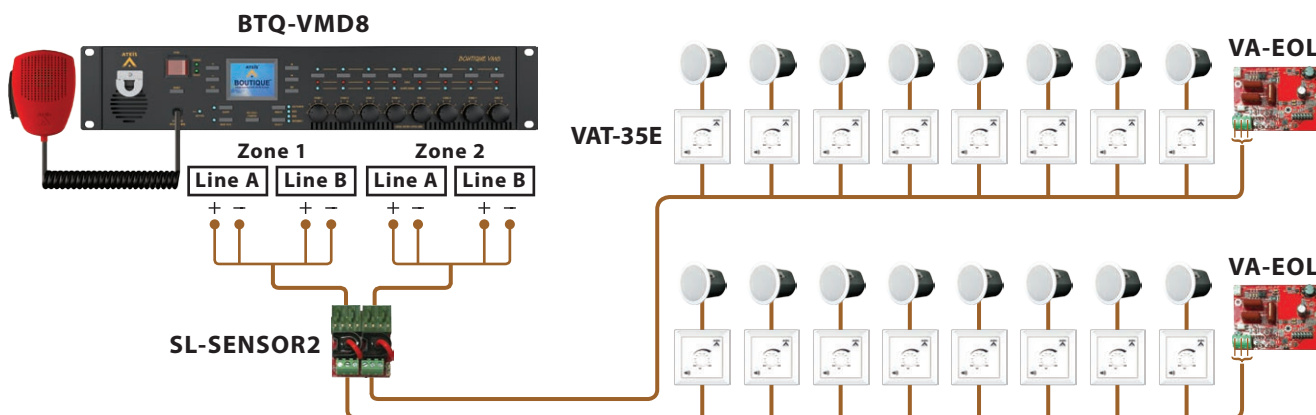


**BLK-60
BLK-200**

**VA-EOL - End of SP-line Module for Multi-branch/3-wire
SL-SENSOR2 / SL-SENSOR4 - 3 Wire Speaker Line Short Sensor
BLK-60 / BLK-200 - 20kHz Signal Blocker**

To monitor the long speaker lines, the VA-DLC-100/70 dummy load capacitor module can be added on the BOUTIQUE PA/VA system to detect the open and short circuit of speaker lines even the last speaker. However, for advanced configuration such as install the VAT volume attenuators in the speaker line for volume control, the impedance of speaker line is changed after adjusting the volume on VAT volume attenuators. Furthermore, for branching the speaker line wiring, a cut of partial branching may not change the overall impedance that obviously. The VA-EOL is the only solution which can adapt the changing impedance and detect open or short circuit for each branch.

By installing the VA-EOL at the end of speaker lines and SL-SENSOR2/SL-SENSOR4 on the zone board of BTQ-VMD/SGD/SLD unit, the system can indicate whether speaker line is open or short circuit within 90 seconds (EN54-16 requirement), helping to save the analysis time. The installation does not require additional loopback cabling and is powered by BTQ-VMD/SGD/SLD via speaker line without affecting the audio signal. For some application like Nursery, baby may sensitive with 20 kHz monitoring tone, the speaker lines can install BLK-60/BLK-200 to filter it.



Note:

- * The supervision of speaker lines is not included the wires which are connected to the VAT volume attenuators.
- * Each zone can connect to a maximum of 3 branches when using VA-EOL plus VAT volume attenuator.
- * Please order the "EOL driver" version of BTQ unit such as BTQ-VMD/SGD/SLD controller/secondary unit when using with VA-EOL module, in order to provide more power to drive the VA-EOL module.

VA-EOL/SL-SENSOR/BLK-60/BLK-200

VA-EOL - End of SP-line Module for Multi-branch/3-wire
SL-SENSOR2 / SL-SENSOR4 - 3 Wire Speaker Line Short Sensor
BLK-60 / BLK-200 - 20kHz Signal Blocker

ELECTRICAL

- Power source: Supplied from BTQ-VMD/SGD/SLD
- Max power consumption
 - VA-EOL: 0.8W
 - SL-SENSOR2/SL-SENSOR4: 90 mW
- Speaker line: Applicable to 70V or 100V speaker line

CERTIFICATIONS AND APPROVALS (VA-EOL/SL-SENSOR)

Europe	Voice Alarm	EN 54-16 (In process)
Europe	CE/EMI	EN 55032
Europe	CE/EMC	EN 55020 IEC 61000-4-2 IEC 61000-4-4
Europe	CE/LVD	EN 60065 (In process)
USA	Mass Notification Systems	UL 2572 (Pending)
USA	Safety	UL 60065 (Pending)

MECHANICAL

- Dimensions (W x H x D)
 - VA-EOL: 80 x 10 x 60 mm (3.1 x 0.4 x 2.4 inch)
 - SL-SENSOR2: 41 x 35 x 50 mm (1.6 x 1.4 x 2 inch)
 - SL-SENSOR4: 84 x 35 x 50 mm (3.3 x 1.4 x 2 inch)
 - BLK-60/BLK-200: 50 x 25 x 40 mm (2 x 1 x 1.6 inch)
- Weight
 - VA-EOL: 0.1 kg (0.22 lbs)
 - SL-SENSOR2: 0.41 kg (0.9 lbs)
 - SL-SENSOR4: 0.77 kg (1.69 lbs)
 - BLK-60/BLK-200: 0.1 kg (0.22 lbs)

ENVIRONMENTAL

- Operating temperature: -5 °C ~ +55 °C (+23 °F ~ +131 °F)
- Storage temperature: -40 °C ~ +70 °C (-40 °F ~ +158 °F)
- Relative humidity: 20% to 95%

ORDERING INFORMATION

- VA-EOL: End of SP-line Module for Multi-branch/3-wire
- SL-SENSOR2: 3 Wire Speaker Line Short Sensor, 2CH
- SL-SENSOR4: 3 Wire Speaker Line Short Sensor, 4CH
- BLK-60: 20kHz Signal Blocker/60W
- BLK-200: 20kHz Signal Blocker/200W